

High Voltage Diodes - Surface Mount

Original Released: 03-30-15

2.0A - 3.5A • 70ns • Hermetic • JANTX • JANTXV

ELECTRICAL CHARACTERISTICS AND MAXIMUM RATINGS

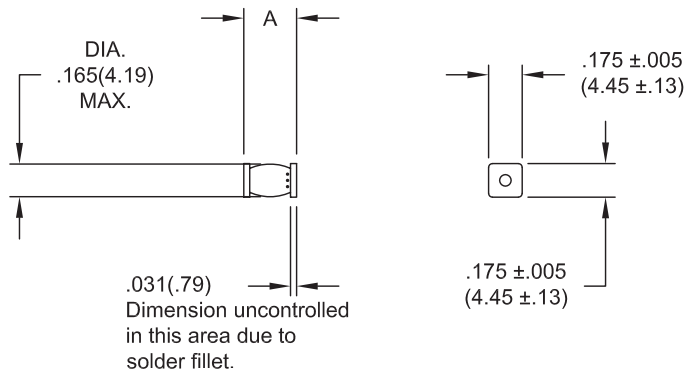
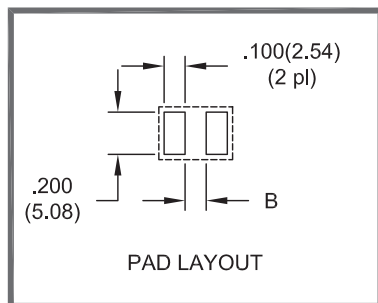
Part Number	Working Reverse Voltage (Vrwm)	Average Rectified Current (Io)		Reverse Current @ Vrwm (Ir)		Forward Voltage (Vf)		1 Cycle Surge Current tp=8.3ms (Ifsm)	Repetitive Surge Current (Ifm)	Reverse Recovery Time (3) (Trr)	Thermal Impd. θ_{j-c}	Junction Cap. @50VDC @ 1KHZ (Cj)
		55°C(1)	100°C(2)	25°C	100°C	25°C		25°C	25°C	25°C	25°C	25°C
	Volts	Amps	Amps	μ A	μ A	Volts	Amps	Amps	Amps	ns	°C/W	pF
1N6515US	3000	3.5	2.3	1.00	25	6.0	1.5	60	10	70	4	20
1N6517US	5000	2.0	1.3	1.00	25	8.0	1.0	40	8	70	4	16

(1)TC=55°C (2)TC=100°C (3)If=0.5A, Ir=1.0A, Irr=0.25A *Op.Temp. -65°C to +175°C Stg.Temp. -65°C to +200°C

Markings:
Three Dots for polarity.



Parts	A	B
1N6515US	.260 ±.015 (6.60 ±.38)	.125(3.18)
1N6517US	.280 ±.015 (7.11 ±.38)	.145(3.68)



Dimensions: In. (mm) • All temperatures are ambient unless otherwise noted. • Data subject to change without notice.



Voltage Multipliers Inc.

8711 W. Roosevelt Ave.
Visalia, CA 93291 USA

Tel: 559.651.1402
Fax: 559.651.0740

www.voltagemultipliers.com
www.highvoltagepowersupplies.com