

Single Phase Bridge - High Voltage SPB Series

2.0A • 70ns

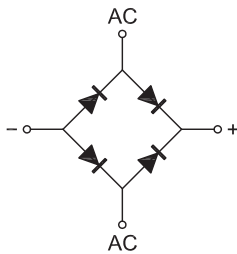
ELECTRICAL CHARACTERISTICS AND MAXIMUM RATINGS

Part Number	Working Reverse Voltage (V _{rw})	Average Rectified Current (I _o)			Reverse Current @ V _{rw} (I _r)		Forward Voltage (V _f)		1 Cycle Surge Current t _p =8.3ms (I _{fsm})	Repetitive Surge Current (I _{frm})	Reverse Recovery Time (1) (T _{rr})	Case Length (L)	Terminal Dim. (A)
		70°C	55°C	25°C	25°C	100°C	25°C		25°C	25°C	25°C		
	Volts	Oil	Heatsink	No Heatsink	μA	μA	Volts	Amps	Amps	Amps	ns	in.	in.
		Amps	Amps	Amps									
SPB50UF(X)	5000	2.0	1.5	0.70	1.0	25	12.0	1.5	50	10	70	1.50	1.50
SPB100UF(X)	10000	2.0	1.5	0.70	1.0	25	18.0	1.5	50	10	70	1.75	1.50
SPB150UF(X)	15000	2.0	1.5	0.70	1.0	25	30.0	1.5	50	10	70	2.25	1.80
SPB200UF(X)	20000	2.0	1.5	0.70	1.0	25	36.0	1.5	50	10	70	2.50	1.50

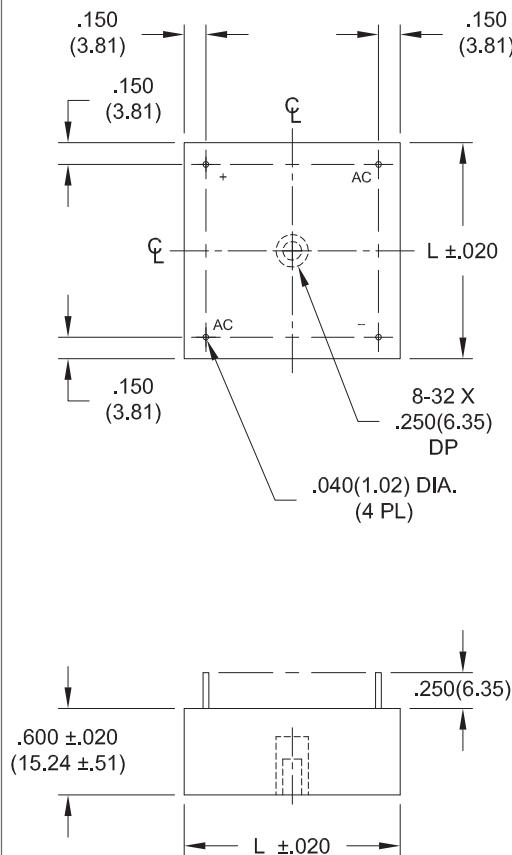
(1)T_{rr} Testing: I_f=0.5A, I_r=1.0A, I_{rr}=0.25A *Op. Temp.= -55°C to +150°C Stg. Temp.= -55°C to +150°C

To complete Part #
for Terminal style:
(X) =
A - Pins
B - 4-40 Inserts

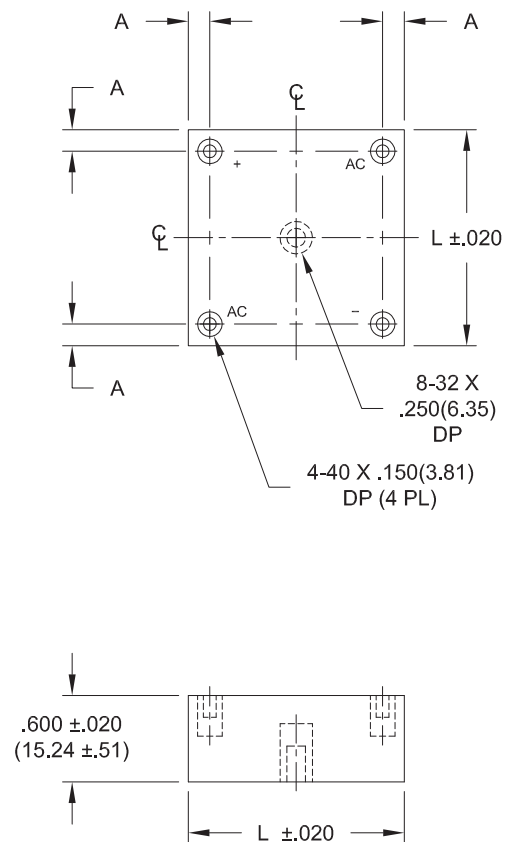
Tolerance:
.XXX ±.010
.XX ±.010



Pin Terminal



Insert Terminal



Dimensions: In. (mm) • All temperatures are ambient unless otherwise noted. • Data subject to change without notice.



Voltage Multipliers Inc.

8711 W. Roosevelt Ave.
Visalia, CA 93291 USA

Tel: 559.651.1402
Fax: 559.651.0740

www.voltagemultipliers.com
www.highvoltagepowersupplies.com

SPB50UF SPB100UF SPB150UF SPB200UF

