

High Voltage Diodes - Surface Mount

Original Released: 11-14-17

1.5A - 3.5A • 70ns • Hermetic • JANTX • JANTV

ELECTRICAL CHARACTERISTICS AND MAXIMUM RATINGS

Part Number	Working Reverse Voltage (V _{rwm})	Average Rectified Current (I _o)	Reverse Current @ V _{rwm} (I _r)		Forward Voltage (V _f)		1 Cycle Surge Current t _p =8.3ms (I _{fsm})	Repetitive Surge Current (I _{frm})	Reverse Recovery Time (3) (T _{rr})	Thermal Impd. θ _{J-C}	Junction Cap. @50VDC @ 1kHz (C _j)	
			25°C	100°C	25°C		25°C	25°C	25°C	25°C	25°C	
	Volts	Amps	Amps	µA	µA	Volts	Amps	Amps	Amps	ns	°C/W	pF
1N6513FL	2000	3.5	2.4	1.00	25	3.5	2.0	80	15	70	5.0	25
1N6515FL	3000	2.5	1.5	1.00	25	6.0	1.5	60	10	70	5.0	20
1N6517FL	5000	1.5	1.0	1.00	25	8.0	1.0	40	8	70	5.0	16

(1)TC=55°C (2)TC=100°C (3)I_f=0.5A, I_r=1.0A, I_{rr}=0.25A † Op.Temp. -65°C to +175°C Stg.Temp. -65°C to +200°C

(JX) Markings:

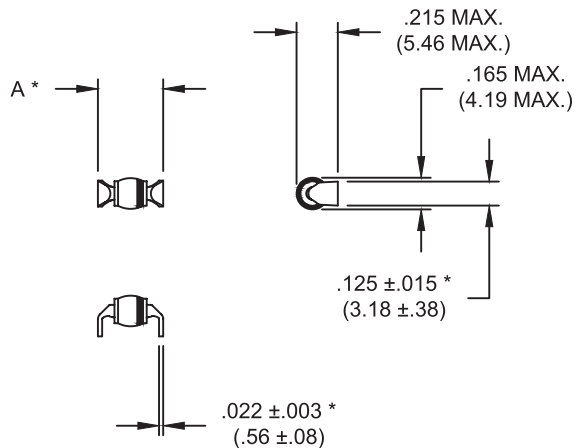
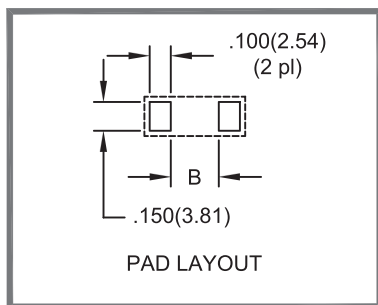
BAND
JX65XXFL
VMI D/C

(JV) Markings:

BAND
JV65XXFL
VMI D/C



Parts	A *	B
1N6513FL	.345(8.76) MAX./ .315(8.0) MIN.	.210(5.33)
1N6515FL	.365(9.27) MAX./ .335(8.51) MIN.	.230(5.84)
1N6517FL	.380(9.65) MAX./ .350(8.94) MIN.	.250(6.35)



Dimensions: In. (mm) • † All temperatures are ambient unless otherwise noted. *, † Data subject to change without notice.



Voltage Multipliers Inc.

8711 W. Roosevelt Ave.
Visalia, CA 93291 USA

Tel: 559.651.1402
Fax: 559.651.0740

www.voltagemultipliers.com
www.highvoltagepowersupplies.com