

# High Voltage Diodes - Surface Mount

Original Released: 05-21-15  
 Revised: 11-22-19

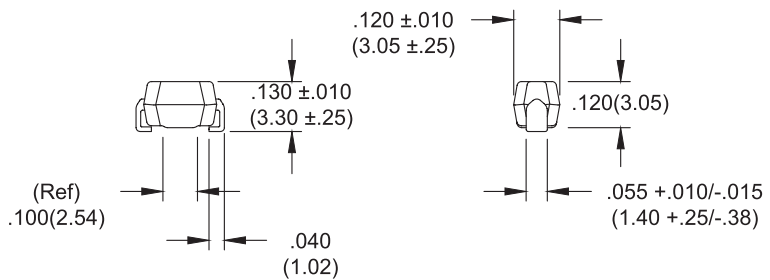
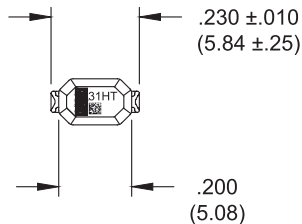
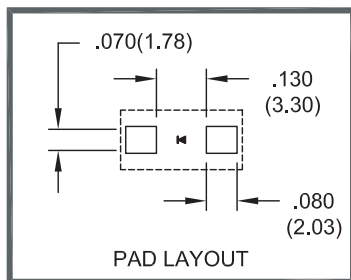
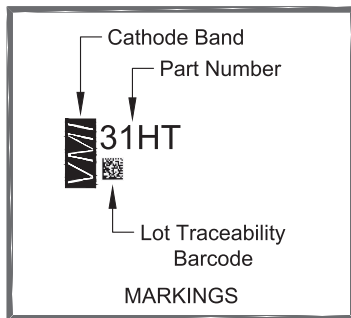
**0.10A • 70ns**

## ELECTRICAL CHARACTERISTICS AND MAXIMUM RATINGS

Part Number	Working Reverse Voltage	Average Rectified Current		Reverse Current @ Vrwm		Forward Voltage		1 Cycle Surge Current tp=8.3ms	Repetitive Surge Current	Reverse Recovery Time (3)	Thermal Impd. $\Theta_{J-L}$	Junction Cap. @50VDC @ 1kHz
				(Ir)								
	(Vrwm)	(Io)		(Vrwm)	1.5 kV	(Vf)	(Ifsm)	(Ifrm)	(Trr)	25°C	25°C	
	Volts	mA	mA	$\mu$ A	$\mu$ A	Volts	Amps	Amps	Amps	ns	°C/W	pF
SMF6531HT	3000	100	50	0.1	10.0	7.0	0.025	8.0	1.25	70	20	2.0

(1)TL=55°C (2)TL=100°C (3)If=12.5mA, Ir=25.0mA, Irr=6.3mA \*Op.Temp. -65°C to +175°C Stg.Temp. -65°C to +200°C

Tolerance:  
 .XXX ±.005(.13)



Dimensions: In. (mm) • All temperatures are ambient unless otherwise noted. • Data subject to change without notice.



**Voltage Multipliers Inc.**

8711 W. Roosevelt Ave.  
 Visalia, CA 93291 USA

Tel: 559.651.1402  
 Fax: 559.651.0740

[www.voltagemultipliers.com](http://www.voltagemultipliers.com)  
[www.highvoltagepowersupplies.com](http://www.highvoltagepowersupplies.com)