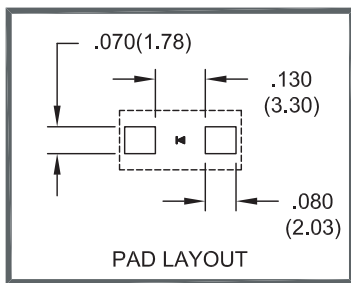
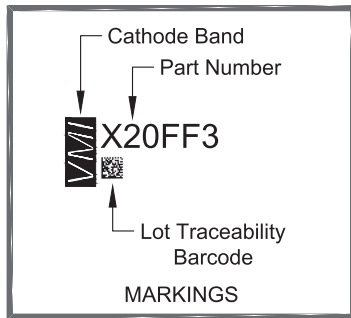


High Voltage Diodes - Surface Mount

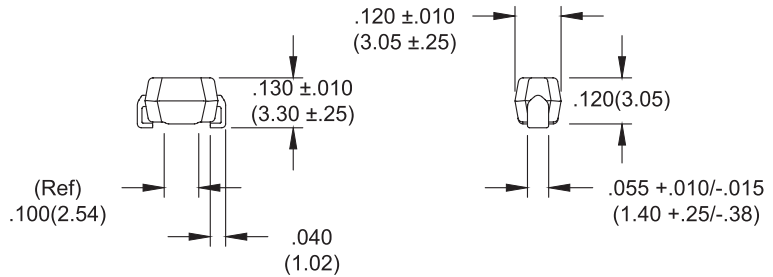
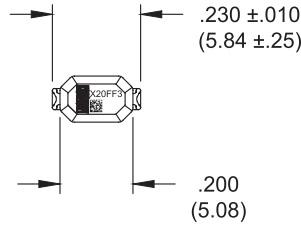
Original Released: 04-15-08
 Revised Date: 11-18-19

0.42A • 30ns

ELECTRICAL CHARACTERISTICS AND MAXIMUM RATINGS													
Part Number	Working Reverse Voltage (Vrwm)	Average Rectified Current (Io)		Reverse Current @ Vrwm (Ir)		Forward Voltage (Vf)		1 Cycle Surge Current tp=8.3ms (Ifsm)	Repetitive Surge Current (Ifrm)	Reverse Recovery Time (3) (Trr)	Thermal Impd. Θ_{J-L}	Junction Cap. @50VDC @ 1kHz (Cj)	Markings
		55°C(1)	100°C(2)	25°C	100°C	25°C		25°C	25°C	25°C	25°C	25°C	
	Volts	Amps	Amps	μ A	μ A	Volts	Amps	Amps	Amps	ns	°C/W	pF	
SXF20FF3	2000	0.42	0.21	1.0	20	7.5	0.42	16	3	30	20	4.0	X20FF3
(1)TL=55°C (2)TL=100°C (3)If=125mA, Ir=250mA, Irr=63mA *Op.Temp. -65°C to +175°C Stg.Temp. -65°C to +200°C													



Tolerance:
 .XXX ±.005(.13)



Dimensions: In. (mm) • All temperatures are ambient unless otherwise noted. • Data subject to change without notice.



Voltage Multipliers Inc.

8711 W. Roosevelt Ave.
 Visalia, CA 93291 USA

Tel: 559.651.1402
 Fax: 559.651.0740

www.voltagemultipliers.com
www.highvoltagepowersupplies.com