

High Voltage Diodes - Surface Mount

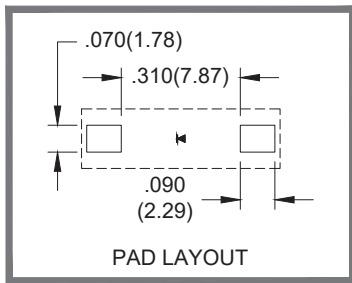
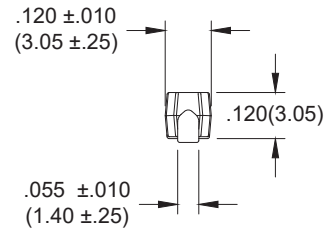
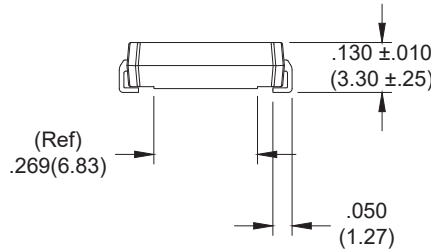
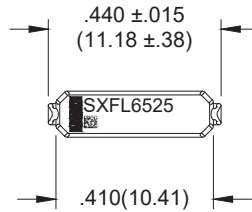
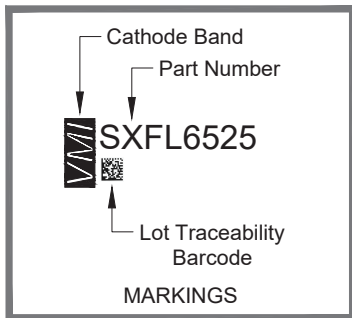
Revised Date: 11-30-21

0.15A • 70ns

ELECTRICAL CHARACTERISTICS AND MAXIMUM RATINGS												
Part Number	Working Reverse Voltage	Average Rectified Current		Reverse Current @ Vrwm		Forward Voltage		1 Cycle Surge Current tp=8.3ms	Repetitive Surge Current	Reverse Recovery Time (3)	Thermal Impd.	Junction Cap. @ 50VDC @ 1kHz
	(Vrwm)	(Io)		(Ir)		(Vf)		(Ifsm)	(Ifrm)	(Trr)	$\theta_{(J-L)}$	(Cj)
	Volts	Amps	Amps	μ A	μ A	Volts	Amps	Amps	Amps	ns	$^{\circ}$ C/W	pF
SXFL6525	5000	0.15	0.075	0.5	20	7.0	0.15	10	2.00	70	40	3.0

(1) TC=55°C (2) TC=100°C (3) If=125mA, Ir=250mA, Irr=63mA *Op. Temp.= -65°C to +175°C Stg. Temp.= -65°C to +200°C

Tolerance:
.XXX ±.005(.13)



Dimensions: In. (mm) • All temperatures are ambient unless otherwise noted. • Data subject to change without notice.



Voltage Multipliers Inc.

8711 W. Roosevelt Ave.
Visalia, CA 93291 USA

Tel: 559.651.1402
Fax: 559.651.0740

www.voltagemultipliers.com
www.highvoltagepowersupplies.com

SXFL6525

