

# LPS Laser Power Supply

## LPS Series

**PART NUMBER SPECIFICATION**

Series Name	Run Current: 2.5 to 5.0mA (factory set) 25 = 2.5mA 50 = 5.0mA	Input Voltage: 12 = 12VDC 15 = 15VDC 24 = 24VDC
-------------	--	--

**LPS 08 A 30 15 M**

Start Voltage: 08 = >8kV 10 = >10kV	Run Voltage: A = 1100 to 1800VDC B = 1800 to 2200VDC
---	--

Options:  
M = Low ripple (includes additional input and output filtering plus external Cu foil shield to minimize radiated emissions)  
N = Remote Enable  
S = Time delay  
T = Epoxy potting

**SPECIFICATIONS**

**Electrical:**

Input Voltage:	12, 15, or 24VDC +/-10%
Start Voltage:	> 8kV, or > 10kV
Run Current:	2.5 to 5.0 mA (factory set)
Run Voltage:	1100-1800VDC, or 1800-2200VDC
Current Ripple:	Std -0.6%(p-p), 0.2%(rms) Low Ripple Option - 0.3%(p-p), 0.1%(rms)
Current Regulation:	1% Line & Load
Efficiency:	> 80% (Standard UL 94 V-0 silicone potting) > 75% (Optional UL 94 V-0 epoxy potting)
Output Power:	11W MAX.
Remote Enable:	Connect Yellow wire to GND to Enable.
Time Delay:	3-5 seconds (cut Violet loop to disable)
Dimensions:	3.75" X 1.5" X 1.0" (95mm X 38mm X 25mm)
HV Connector:	Alden D100 Style
Input Leads:	#22AWG

**Environmental:**

- Storage Temperature -40°C to +85°C
- Operating Temperature -5°C to +60°C



### Features:

- Low ripple current
- High efficiency
- Excellent load & line regulation
- Short circuit protection

### LPS Series

The LPS series of power supplies is designed for critical Helium Neon laser applications.

Standard features include short circuit protection, >80% efficiency, and excellent regulation.

The LPS is especially suitable for precision applications where low ripple is essential.

Rugged and light weight, the LPS series is extremely reliable.

Dimensions: In. (mm) • All temperatures are ambient unless otherwise noted. • Data subject to change without notice.



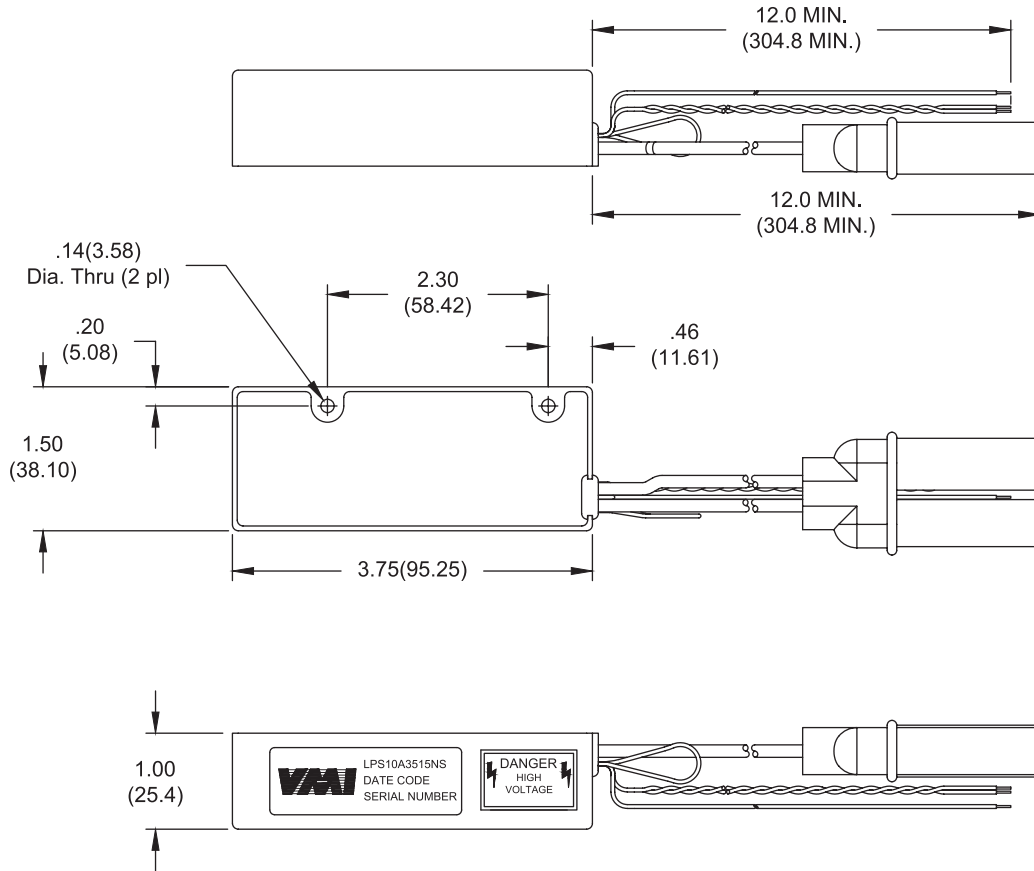
Voltage Multipliers Inc.

8711 W. Roosevelt Ave.  
Visalia, CA 93291 USA

Tel: 559.651.1402  
Fax: 559.651.0740

[www.voltagemultipliers.com](http://www.voltagemultipliers.com)  
[www.highvoltagepowersupplies.com](http://www.highvoltagepowersupplies.com)

# LPS Series



## LEAD ASSIGNMENTS

COLOR	FUNCTION
RED	+V INPUT
BLACK	-V INPUT (GND)
YELLOW	ENABLE
VIOLET	DELAY
RED	+HV
BLACK	HV RETURN

Dimensions: In. (mm) • All temperatures are ambient unless otherwise noted. • Data subject to change without notice.



**Voltage Multipliers Inc.**

8711 W. Roosevelt Ave.  
Visalia, CA 93291 USA

Tel: 559.651.1402  
Fax: 559.651.0740

[www.voltagemultipliers.com](http://www.voltagemultipliers.com)  
[www.highvoltagepowersupplies.com](http://www.highvoltagepowersupplies.com)