

High Voltage Diodes - Surface Mount

Revised Date: 05-05-23

0.10A • 70ns

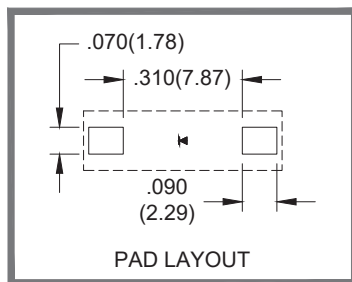
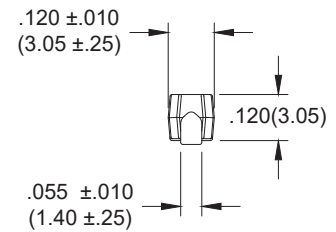
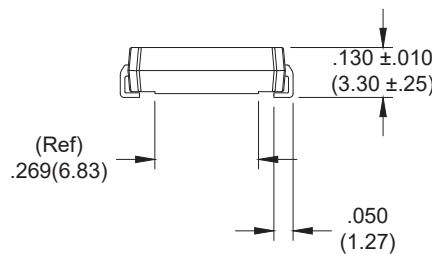
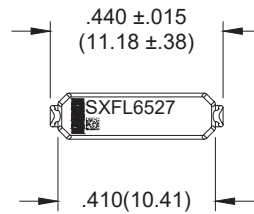
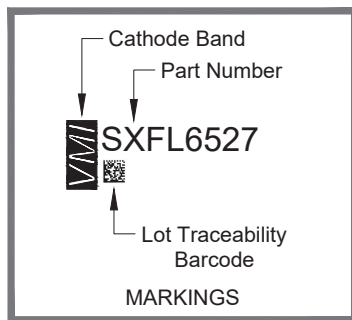
ELECTRICAL CHARACTERISTICS AND MAXIMUM RATINGS

Part Number	Working Reverse Voltage (V _{rwm})	Average Rectified Current (I _o)		Reverse Current @ V _{rwm} (I _r)		Forward Voltage (V _f)		1 Cycle Surge Current I _p =8.3ms	Repetitive Surge Current (I _{frm})	Reverse Recovery Time (3)	Thermal Impd. $\theta_{(J-L)}$	Junction Cap. @ 50VDC @ 1kHz (C _j)
		55°C(1) 100°C(2)		25°C 100°C	25°C		25°C	25°C	25°C	25°C	25°C	25°C
	Volts	Amps	Amps	µA	µA	Volts	Amps	Amps	Amps	ns	°C/W	pF
SXFL6527	10000	0.10	0.050	0.5	20	12.0	0.10	5	1.00	70	40	2.0

(1) TC=55°C (2) TC=100°C (3) I_f=125mA, I_r=250mA, I_{rr}=63mA *Op. Temp.= -65°C to +175°C Stg. Temp.= -65°C to +200°C



Tolerance:
.XXX ±.005(.13)



Dimensions: In. (mm) • All temperatures are ambient unless otherwise noted. • Data subject to change without notice.



Voltage Multipliers Inc.

8711 W. Roosevelt Ave.
Visalia, CA 93291 USA

Tel: 559.651.1402
Fax: 559.651.0740

www.voltagemultipliers.com
www.highvoltagepowersupplies.com

SXFL6527

