

High Voltage Opto-diode - Axial Lead

0.30A - 0.50A • 3000ns

ELECTRICAL CHARACTERISTICS AND MAXIMUM RATINGS														
Part Number	Working Reverse Voltage (V _{rw})	Average Rectified Current (I _o)		Reverse Current @ V _{rw} (I _r)		Forward Voltage (V _f)		1 Cycle Surge Current t _p =8.3ms (I _{fsm})	Repetitive Surge Current (I _{frm})	Reverse Recovery Time (3) (T _{rr})	Thermal Impedance θ _{J-L}			Junction Cap. @ 50VDC @ 1kHz (C _j)
		55°C(1)	100°C(2)	25°C	100°C	25°C		25°C	25°C	25°C	L=000	L=.125	L=.250	25°C
	Volts	Amps	Amps	µA	µA	Volts	Amps	Amps	Amps	ns	°C/W	°C/W	°C/W	pF
OZ100SG	10000	0.50	0.25	1.0	25	12.0	0.60	25	5.0	3000	6	9	15	8
OZ150SG	15000	0.30	0.15	1.0	25	18.0	0.30	10	2.0	3000	6	9	18	5

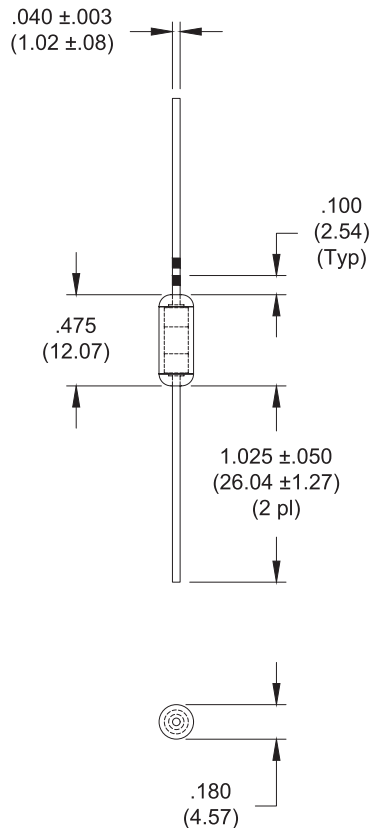
(1)TL=55°C L=0.375" (2)TL=100°C L=0.375" (3)I_f=0.5A, I_r=1.0A, I_{rr}=0.25A *Op.Temp.= -40°C to +70°C Stg.Temp.= -40°C to +100°C

Tolerance:
.XXX ±.010

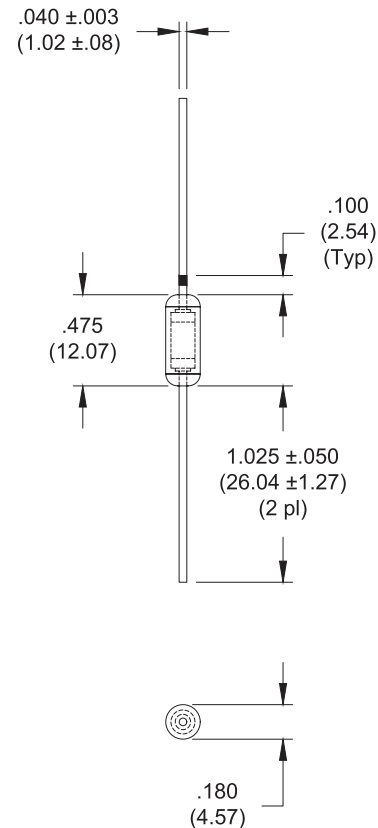
Markings:
(Black Band)
B
A
N
D



OZ100SG



OZ150SG



Dimensions: In. (mm) • All temperatures are ambient unless otherwise noted. • Data subject to change without notice.



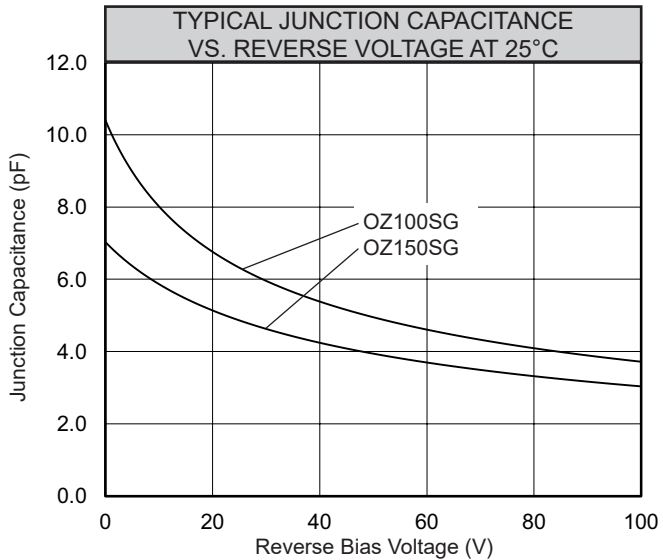
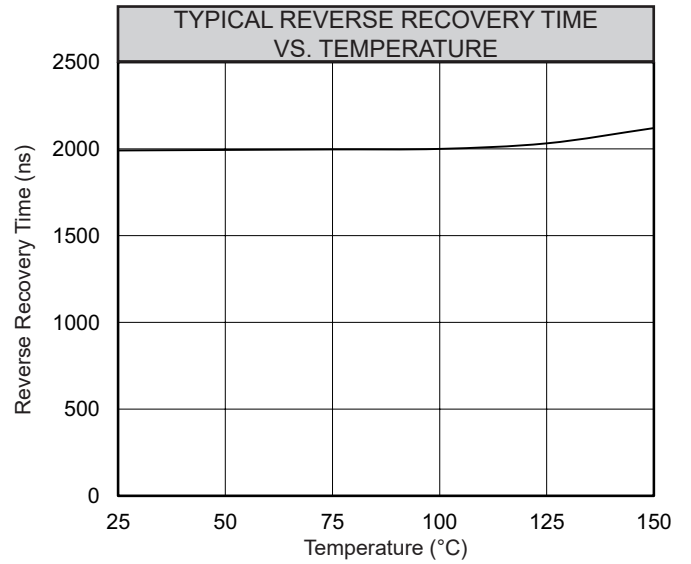
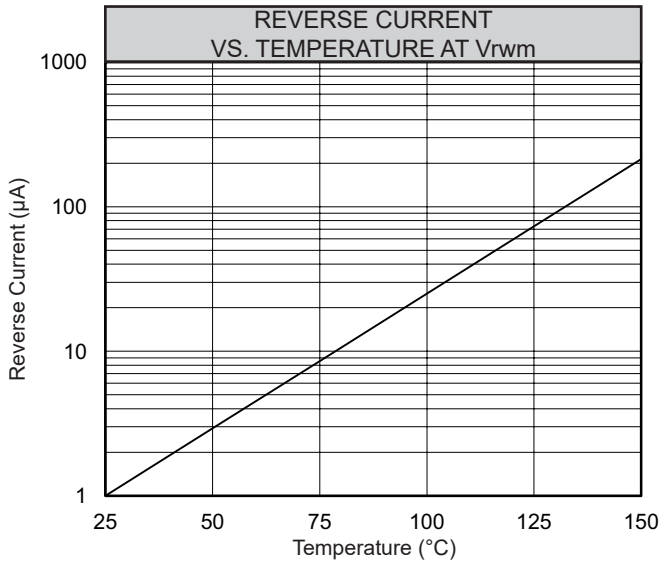
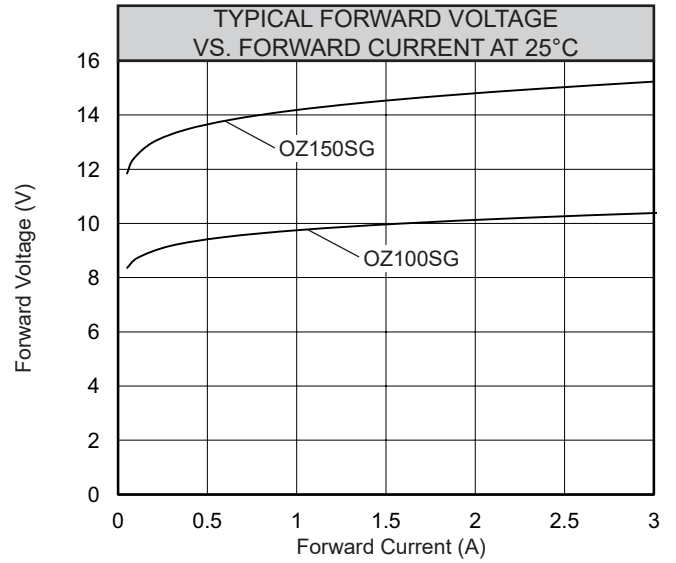
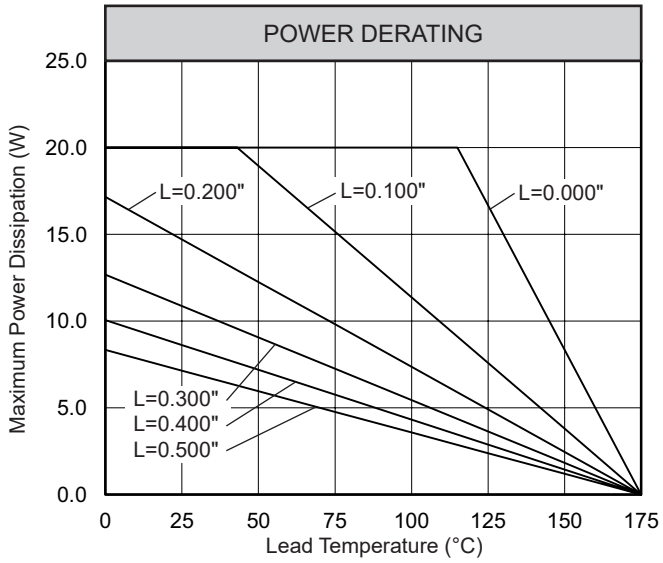
Voltage Multipliers Inc.

8711 W. Roosevelt Ave.
Visalia, CA 93291 USA

Tel: 559.651.1402
Fax: 559.651.0740

www.voltagemultipliers.com
www.highvoltagepowersupplies.com

OZ100SG OZ150SG



6